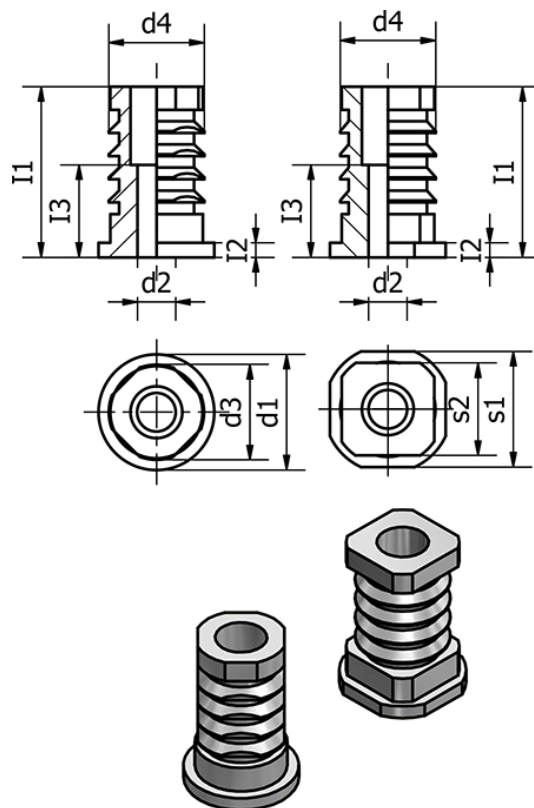


Article number: 20992V40M10

Description: E+G Threaded end-caps - GN 992-V40-M10

## Measures



d1 =	s2 = 34
d2 = 10	Weight (g) = 115
d3 =	
d4 = 34.5	
I1 = 41.5	
I2 = 2.5	
I3 = 24	
s1 = V40	